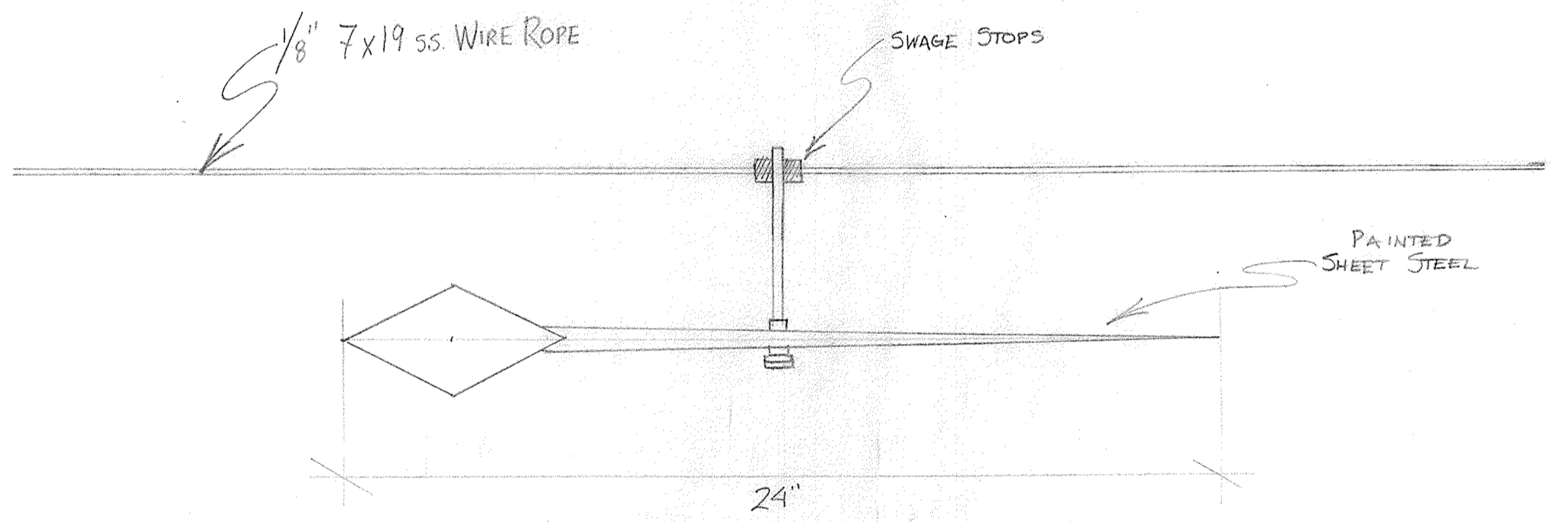


KRISTIN JONES AND ANDREW GINZEL

THE OREGON CONVENTION CENTER  
PORTLAND · OREGON 1988

TOWER PROPOSAL "C"  
SECTION AT PREFUNCTION

SCALE: 1/8" = 1'00"



DETAIL: SCALE 3" = 1'00"

3 FAN BLADES AT 12'0"Ø  
WITH FLUCTUATING  
RANDOM VELOCITIES

SUSPENSION LINES ARE GILT

LIGHT SOURCE  
FOR  
TERRAZZO  
TIME  
PIECE

46'8 1/2"

INLAID TERRAZZO TIME PIECE

