

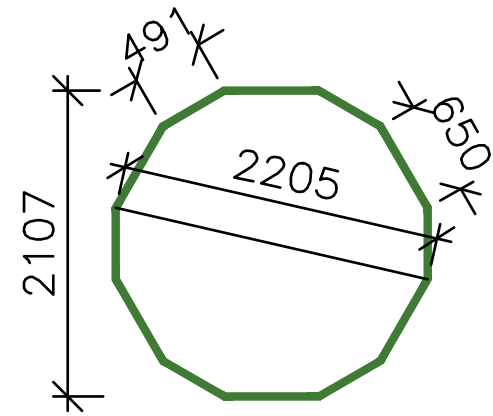
Profile plan @ 0.00

Profile plan @ +250

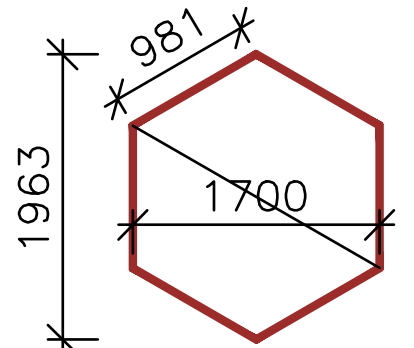
Profile plan @ +500

Profile plan @ +1150

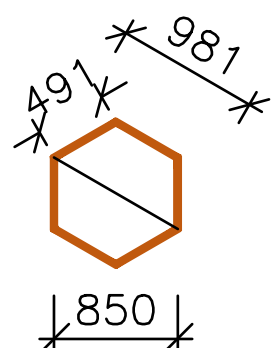
Profile plan @ +1800



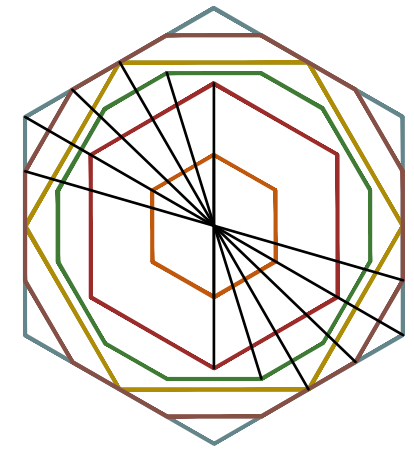
Profile plan @ +2050



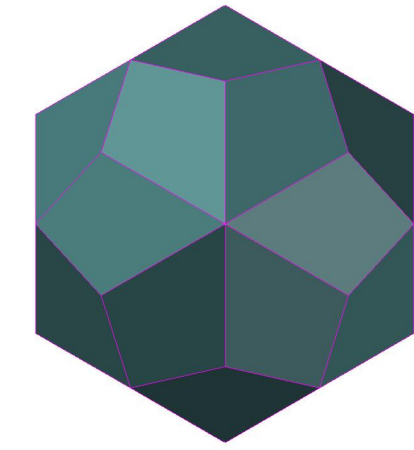
Profile plan @ +2300



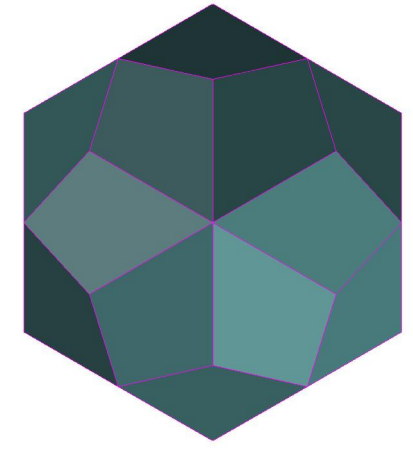
Profile plan @ +2772.2



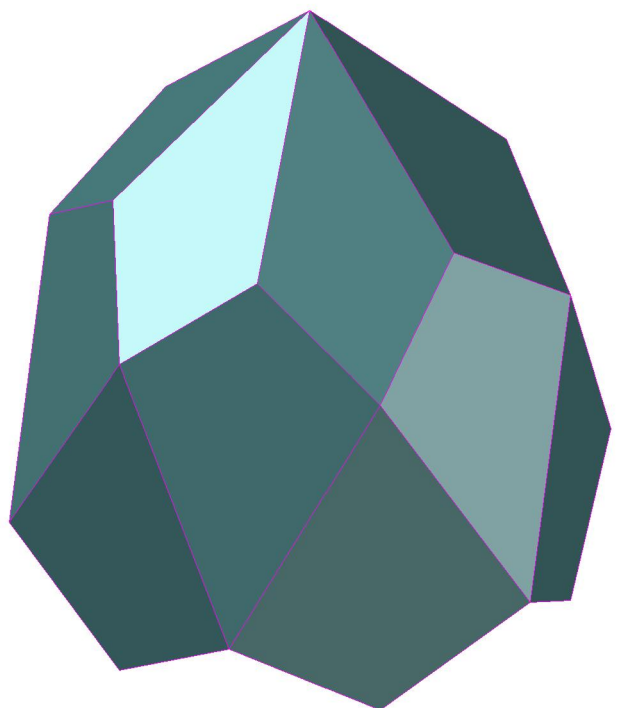
Profile plan @ +3244.4



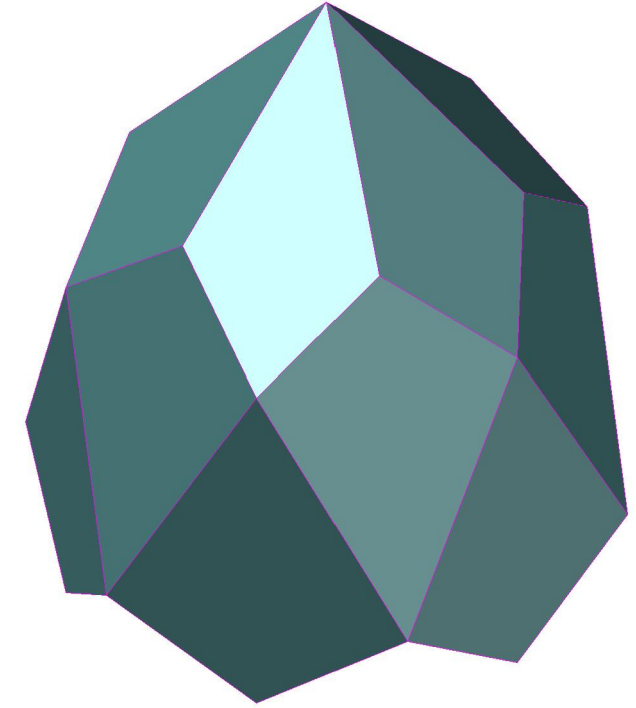
Top view



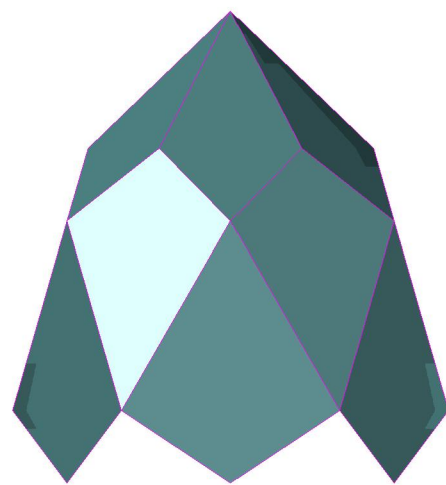
Bottom view



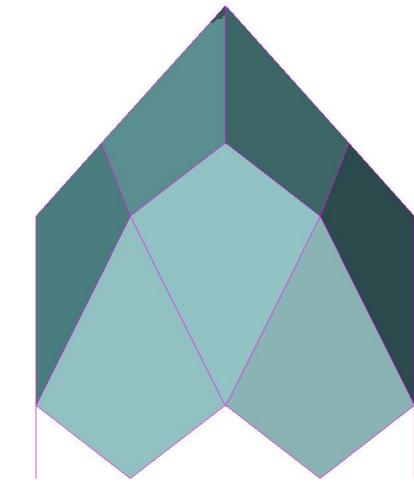
Axonometric D



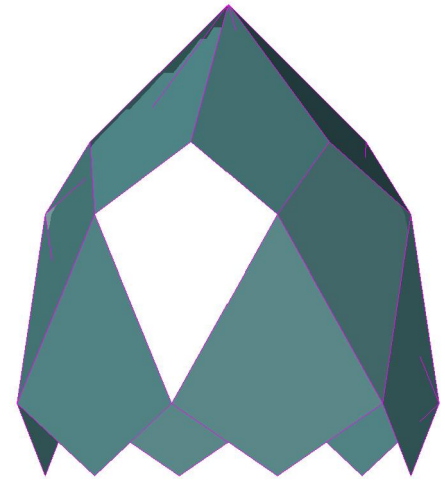
Axonometric E



Side elevation A



Side elevation B



Side elevation C

FIGURED DIMENSIONS ONLY TO BE USED

THIS DRAWING IS COPYRIGHT ©

| | | | | | | | |
|--|--|-----------------------------|---|--|----------------------------|--|--------------------------------|
| PROJECT TITLE : GLASS CRYSTAL PROTOTYPE for WALKER & WALKER in collaboration with BRIAN WARD | | DATE : 04.07.2009 | DRAWING TITLE: CRYSTAL GEOMETRY PLANS, SECTIONS and 3D | | SCALE: 1:50 @ A3 | 14 > DAKFIELD PLACE D8 - DUBLIN - IRELAND tel: ++ 353-01-2946276 fax: ++ 353-01-7429946 tel: erado@psa.ie tel: brianward@psa.ie | PROJECT No. : 0902 |
| CAD FILE No. : 0902-D00-03 | | REL : R | DRAWN BY: MS | | INT : | | DRAWING No. : D00-03 |

USER DATE/TIME NAME SCALE ARCHITECTS