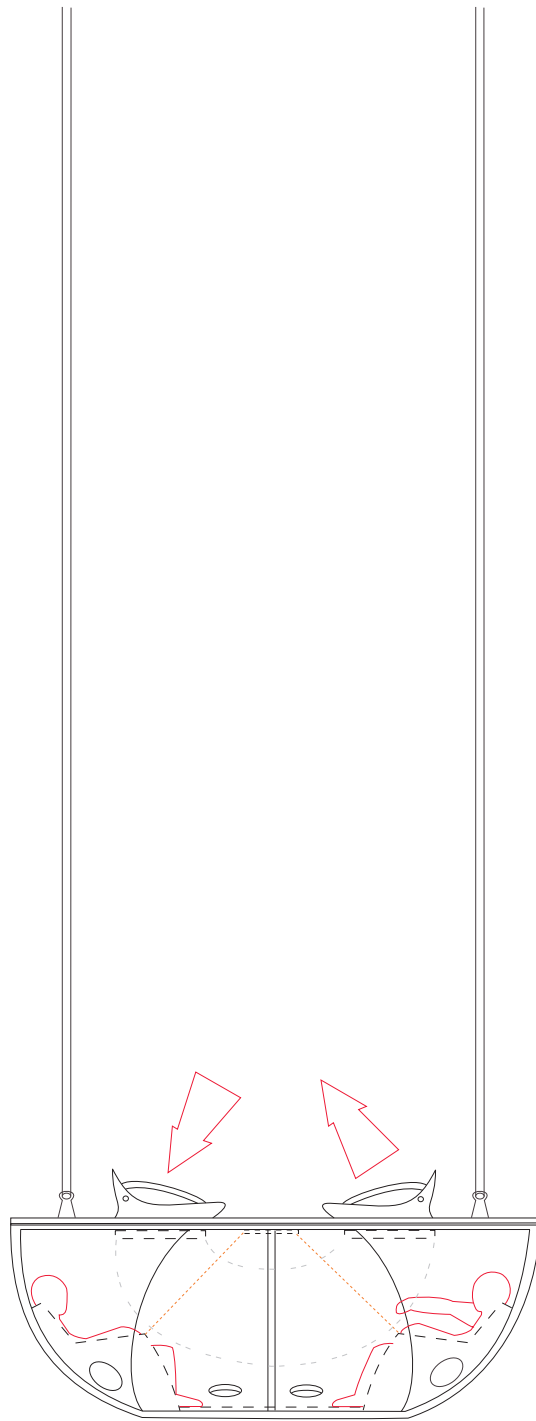
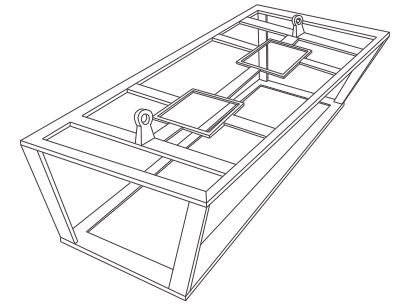
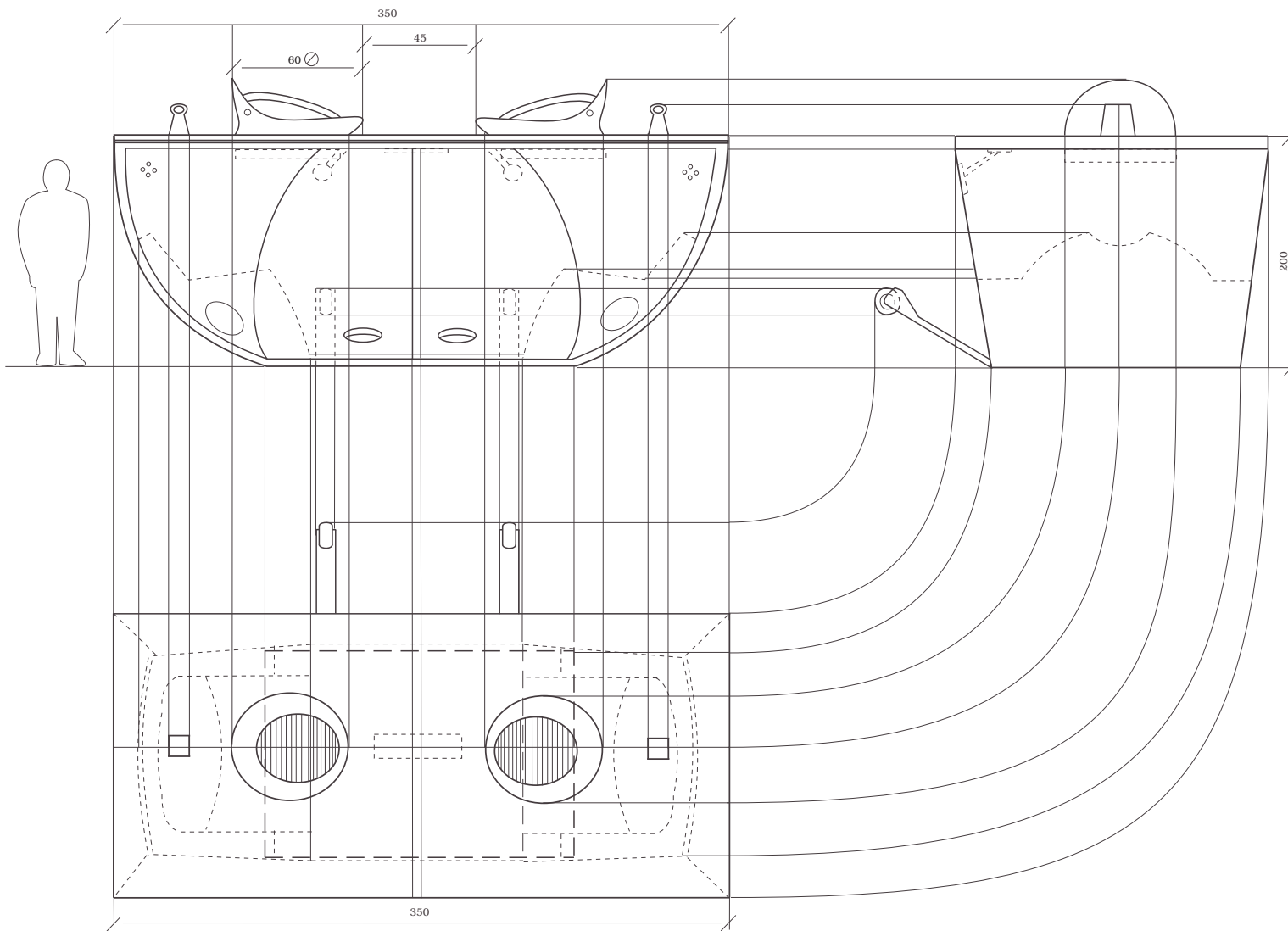


wind chamber







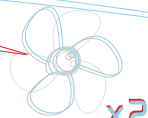
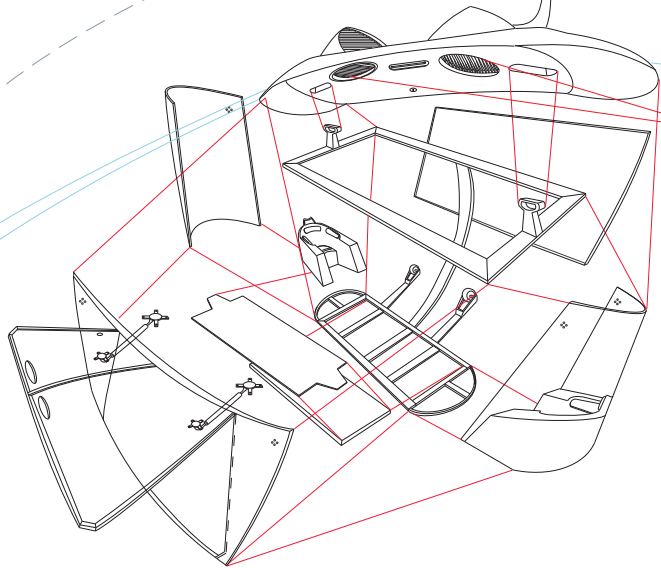
scale. aprox. 1/20

wind chamber

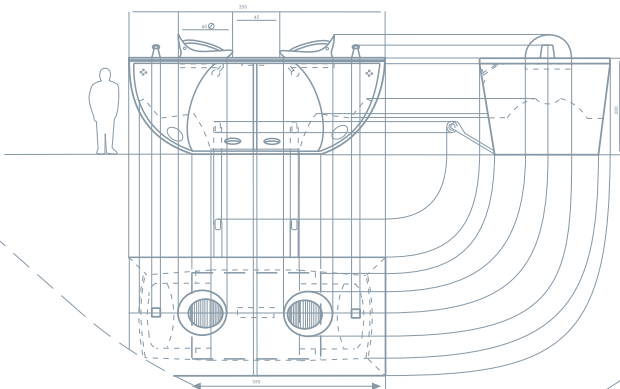
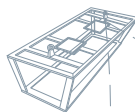
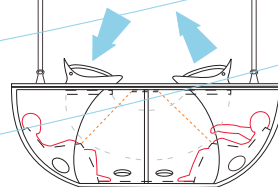
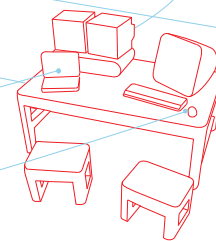
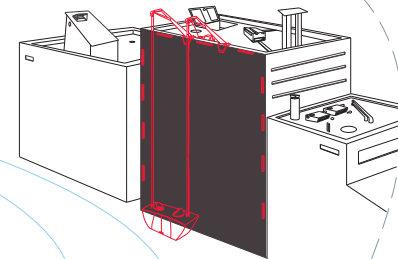
air



audio & video



x2



urban suspension

share